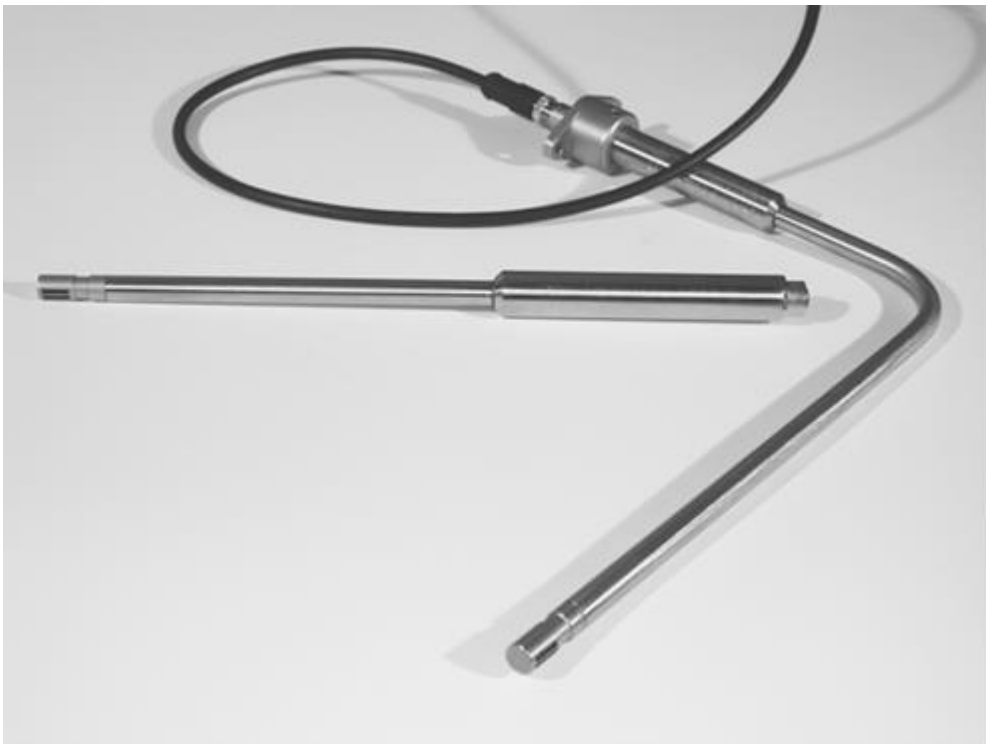


Operating Instructions

Transducer UTA integrated in thermal flow sensor TA10C



Contents

1.	Scope of Delivery	3
1.1.	Description, Type Plates	3
2.	Technical Specifications	4
2.1.	Operating Conditions	4
2.2.	Housing and Connectors	4
2.3.	Electrical Data	4
2.4.	Measurement uncertainty	4
3.	Installation	5
3.1.	Block Diagram and Pin Assignment.....	5
3.2.	Wiring Diagrams	5
3.2.1.	Power supply	6
3.2.2.	Analog output v	6
3.2.3.	Digital output (Open-Collector-Transistor).....	7
3.2.4.	Serial TTL interface	7
4.	Functional Description.....	8
5.	Settings	8
6.	Initial Operation	9
7.	Operation	9
8.	Shut-down, Dismantling	9
9.	Inspection	9
10.	Replacement Parts/Accessories	9
11.	Troubleshooting	10

1. Scope of Delivery




- transducer UTA integrated in the connection housing of the flow sensor TA10C
- data sheet Flow Sensor TA10C with integrated transducer UTA
- CD-ROM with PC configuration software UCOM (optional)
- adapter M12 x 8 / TTL-USB for PC with USB interface (optional)
- cable connector 2 m or 5 m (optional)
- probe attachment SH18 ZG1 for fixing the probe (optional)

Please check that everything listed in the Delivery Note / Technical Data Sheet is included in the delivery.

1.1. Description, Type Plates

The following is engraved on the sensor:

TA10C Höntzsch GmbH & Co. KG 2021
 ta02 9130 E 80 °C IP67 PS:16 bar
 Tamb max: +50 °C Tgas max: +80°C

 II 3 G CE <Ex> II 3 G Ex ec IIC T4 Gc 
 II 3 D CE <Ex> II 3 D Ex tc IIIC T135°C Dc X

TA10C	: sensor type	
2021	: year of manufacture	
IP67	: housing type of protection	
PS	: max. permissible pressure	
ta02 9130 E 80 °C	: serial number with measuring range and max. medium temperature	
T _{amb}	: ambient temperature range	-20 ...+50 °C
T _{gas}	: medium temperature range	-10 ...+80 °C
Bottom lines	: marking for use in Ex-applications (see Instruction Manual Flow Sensors Category 3G and 3D, Document U436)	

Pin assignment cable socket M12 x 8:

Power	1	white	: +24VDC	= supply voltage +24 VDC
	2	brown	: 0VDC	= supply voltage 0 VDC
Output	3	green	: \overline{M}	= digital output Open-Collector (with ref to GND)
	4	yellow	: 4...20 mA (0...10 V)	= analog output +
	5	grey	: GND	= reference potential (same as 2)
Serial TTL	6	pink	: (RxD)	= (serial interface TTL level)
	7	blue	: (TxD)	= (serial interface TTL level)
	8	red	: n.c.	

2. Technical Specifications



2.1. Operating Conditions

Ambient temperature of the connection housing in service	: -20 ... +50 °C
Protection class	: IP67

2.2. Housing and Connectors

Protection class	: housing IP67
Material	: stainless steel
Connection	: female socket M12 x 8 for cable connector 2 m or 5 m . DIN IEC 61076-2-101

2.3. Electrical Data

Supply voltage, mains supply	: 24 V DC (16 ... 27 V DC), power < 1.5 W, current < 50 mA at 24 VDC
---	--

The mains supply is not electrically isolated from the UTA outputs.

Analog output	: 4 ... 20 mA = 0 ... x Nm/s (or Nm ³ /h) terminal value x configurable / resistance max. 400 Ohm or 0 ... 10 V = 0 ... x Nm/s (or Nm ³ /h) terminal value x configurable / impedance 1 kOhm
----------------------	--

Digital output	: (Open Collector Transistor), max. 20 mA / 27 V DC, configurable as limit value v or quantity pulse (see also 4: Functional Description)
-----------------------	---

Serial TTL interface	: for connection with PC programme UCOM (see also 4: Functional Description)
-----------------------------	---

2.4.

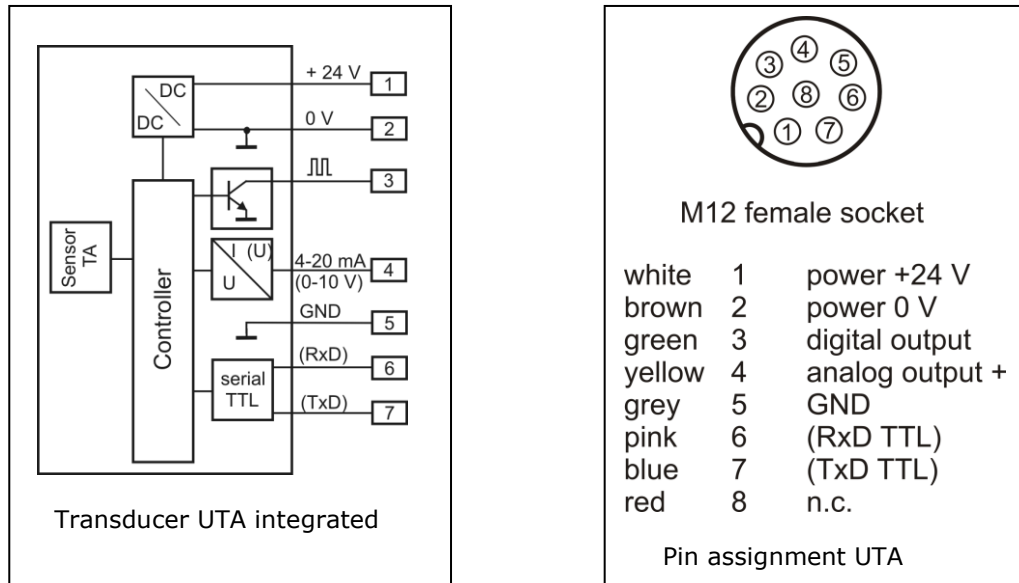
2.5. Measurement uncertainty

Measurement uncertainty for flow velocity N_v : 2 % of measured value + 0.02 m/s

3. Installation

Authoritative are the valid national regulations for installing electrical equipment, the general engineering regulations and these Operating Instructions..

3.1. Block Diagram and Pin Assignment



3.2. Wiring Diagrams

Electrical connection must be carried out according to the appropriate wiring diagram.

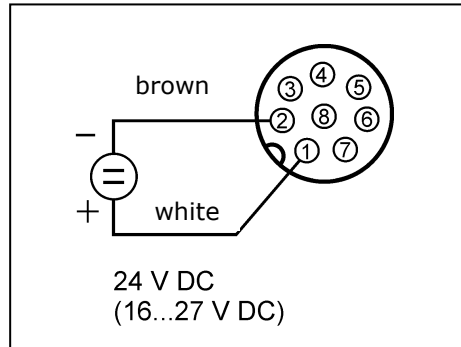
Faulty connection can cause damage to persons and destruction of the electronics.

Do not install or wire up the transducer under mains voltage. **Non-compliance can cause damage to persons and destruction of the electronics.**

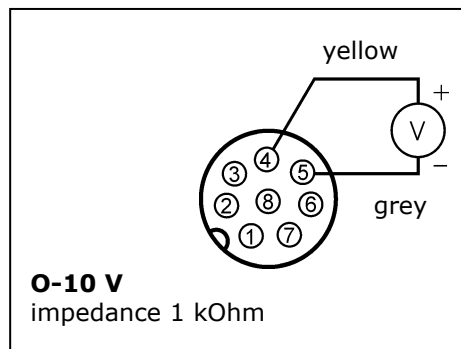
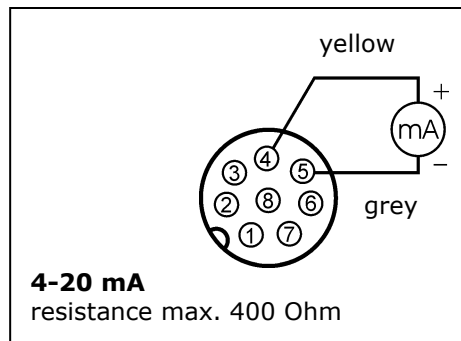
In this connection and depending on the configuration of the equipment, one of the following wiring diagrams must be followed.

3.2.1. Power supply

Before connecting please check that the power supply is within the specification



3.2.2. Analog output v

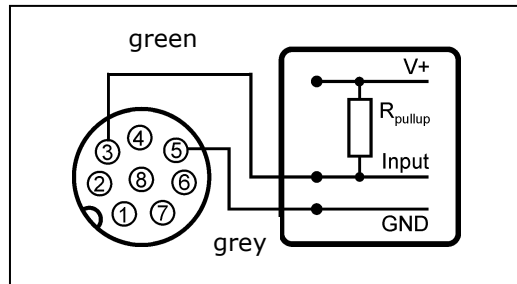


The terminal value of the analog output can be configured using the PC software UCOM via the serial TTL interface. The factory-set values can be found in the accompanying documents.

3.2.3. Digital output (Open-Collector-Transistor)

The digital output is an Open Collector Transistor output with reference to GND.

The function of the digital output and the corresponding setting parameter is configurable via the serial TTL interface with PC software UCOM. The factory settings can be found in the parameter printout in the accompanying documents.



The reference potential terminal (5) of the UTA is connected to the GND terminal of the data logging. The open-collector transistor output (3) is connected to the input of the data logging, to which a pull-up resistor for internal supply voltage of the data logging must be connected (with 24 V as a rule 5...10 kOhm). The limit values for the digital output are: max. 20 mA / max. 27 VDC.

Note: The same power source as for the internal power supply for data logging can be used for power supply to the UTA, as the power supply and the outputs of the UTA transducer are on the same potential.

3.2.4. Serial TTL interface



Abb. 1: Programming adapter M12 x 8 / TTL-USB for software UCOM, PC – USB connector, adapter plug 230 VAC/24VDC

To connect the serial TTL interface, plug the programming adapter into the UTA. The transducer is powered by the adapter.

PC connection is via a USB port.
(Driver installation necessary, driver on UCOM CD).

4. Functional Description

The signals generated by the sensor are converted to a linear **analog output signal**. The analog terminal value is configurable.

$$\begin{array}{l} 4 \dots 20 \text{ mA} \\ 0 \dots 10 \text{ V} \end{array} \quad = \quad \begin{array}{l} 0 \dots x \text{ Nm/s (or Nm}^3\text{/h)} \\ 0 \dots x \text{ Nm/s (or Nm}^3\text{/h)} \end{array}$$

A **digital output** (Open Collector Transistor) can be configured for **1 of 2** different **functions**:

1. as **limit value** for the flow velocity or flow rate:
flow velocity < or = limit value: Open Collector Transistor inactive
flow velocity > limit value: Open Collector Transistor active
2. as **quantity pulse** for quantity measurement:
max. pulse repetition frequency 1 Hz per unit of volume,
configurable, e. g. 1 pulse per 1, 10 or 100 norm-m³ or norm-litre
pulse duration 0.5 s

Self diagnosis according to NAMUR NE43 specifications:

no error : analog output = 4 mA (flow velocity = 0)
or analog output > 4 mA (flow velocity > 0)

error : analog output < 3.6 mA

Monitoring of power supply, data logging, sensor interface and parameter settings (see under 11: Troubleshooting)

Serial TTL interface

for changing calibration data and setting parameters.

Connect programming adapter M12 x 8 / TTL-USB (optional) to the TA10C sensor, then plug in the adapter. Connect USB cable to USB port on the PC.
(Driver installation necessary before first-time connection; drivers on UCOM CD)

Changes to the settings can now be made after starting the PC programme UCOM (optional) (see under 5: Settings).

5. Settings

The setting parameters can be read using the UCOM software and are alterable.
The customer-specific settings of these parameters can be found in the shipping documents.

For operating instructions PC software UCOM see U385.



6. Initial Operation

(Pay special attention to 3.2.1: Power supply and 3.2.2: Analog output)

On connecting the supply voltage:

No flow at sensor: the analog output sends a value of 4 mA.

Flow at sensor: the analog output sends an analog value deviating from the zero flow conditions (see above).



7. Operation

(Pay special attention to 2.1: Operating Conditions and 2.3: Electrical Data)

8. Shut-down, Dismantling

Before disconnecting the cable, please ensure that the supply voltage is switched off.



9. Inspection

see under 4 Functional Description, Self diagnosis.

10. Replacement Parts/Accessories

Integrated transducer UTA has no replacement parts.

An electronic self-restoring fuse is used.

Accessories (cable connector 2 m, 5 m for sensor connection, software UCOM for configuration using programming adapter M12 x 8 / TTL-USB see Data Sheet U391).

11. Troubleshooting

Fault	Cause	Troubleshooting
Analog output = 0 mA (or 0 V)	No power supply	Check cable, measure voltage at connecting terminals
	Faulty transducer electronics	Return to factory
Analog output = error (< 3.6 mA or < -0.2 V)	Parameter error	Check parameters using UCOM software, save new checksum (or return to factory)
	Faulty transducer electronics	Return to factory
	Sensor contaminated	Clean sensor according to instructions
Analog output = 4 mA (or 0 V), no value	Profile factor set at 0.000	Set profile factor to that pertaining to the nominal diameter and sensor type
Value too low	Sensor contaminated	Clean sensor according to instructions
	Profile factor setting too low	Set profile factor to that pertaining to the nominal diameter and sensor type
	Input/output section too short	Change sensor position; improve flow conditions with a flow rectifier
	Rotational flow	Reposition sensor in direction of flow; install flow rectifier
	Burden at current output greater than specified resulting in correct output values in the lower range and no longer increasing values at the top end of the measuring range	Reduce resistance
	Incorrect scaling of analog output	Check settings and amend if necessary
Value too high	Profile factor setting too high	Set profile factor to that pertaining to the nominal diameter and sensor type
	EMC problem	see reference to electromagnetic compatibility (EMC)

Höntzsch GmbH & Co. KG

Gottlieb-Daimler-Straße 37
D-71334 Waiblingen
Telefon +49 7151 / 17 16-0
E-Mail info@hoentzsch.com
Internet www.hoentzsch.com

Subject to alteration