

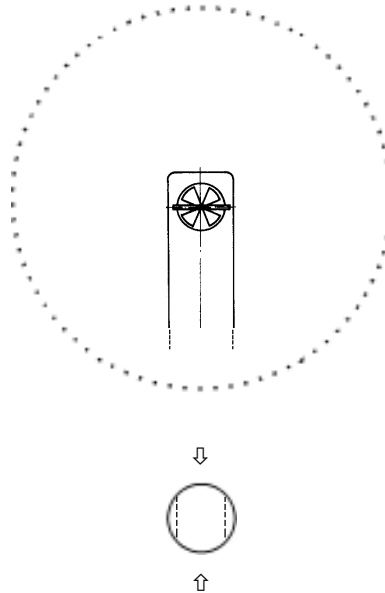
User's Information FA Probes

Supplementary to this User's Information we refer to the corresponding **Technical Data Sheet** with the specific data relating to your order and details of the Manual as well as to Data Sheets **Vane Wheel Flow Sensors FA** and **Flow Velocity Calibration FA**. The data in these documents supplements the following User's Information.

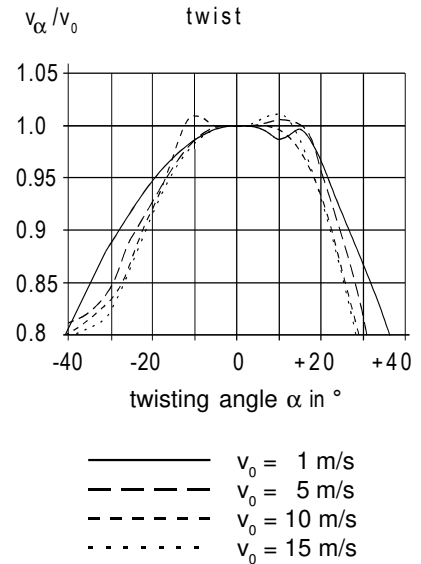
Warning

- Probe in pressurized pipeline:
 - insertion or retraction of probe in depressurized conditions only!
 - In the case of probe guide pieces with probe attachment by TEFLON® clamping bush: increase the tension on the clamping bush from time to time (TEFLON runs causing the clamping fixture to lose initial gripping power)
- Probe with probe guide piece: after positioning a probe in the pipeline fix the probe tube!

Flow direction



Installation deviating from the nominal position



Probe alignment

Vane wheel flow sensors FA are to be aligned in the direction of flow.

The diagram shows, taking a cylinder probe with $\varnothing 25$ mm as an example, how the measured velocity values v in a wind tunnel with uniform velocity in blower stream v_0 can change by twisting the probe. Typical of this is that probes with a smaller diameter demonstrate a stronger directional dependence. On the other hand, in the case of T-shaped probes, the measured values v remain almost constantly up to $\alpha \approx \pm 20^\circ$, even by twisting and tilting the probe.

Fitting instructions

The probes should be so fitted that

- flow is according to the flow direction provided for.
- Alignment estimated by sight does not interfere with the measurement. Rather more deviations from the nominal position can however affect the measurement.

In the case of probes without connection housing an adjustable 'direction indicator' can be used to determine the sensor flow direction and insertion depth.

In the case of probes with connection housing the screwed cable gland on the connection housing is to be aligned to the direction of flow or the direction indicator on the housing is to be aligned to the direction of flow.

In the case of flowtherm probes FT a direction indicator on the probe cap points in the intended direction of flow.

In the case of ZSR probes sensing the \pm direction of flow the allocation of the direction is to be undertaken by the customer during initial operation.

- the probe mounting device does not affect the flow if possible.
- they are fitted vibration-free and not in the immediate vicinity of electromagnetic sources of interference.
- when using several probes together, two probes should not be placed in too short a distance from each other. A space of 1 m in the direction of flow is always "good"; however, the space between two probes on the measuring plane may be 15 cm.
- no drops hit the sensor.

Input/output sections

When measuring in a measurement section of inside diameter D_i it must be observed that optimal accuracy when converting the local velocity v_p to the average velocity

$$v_m = v_p \cdot PF$$

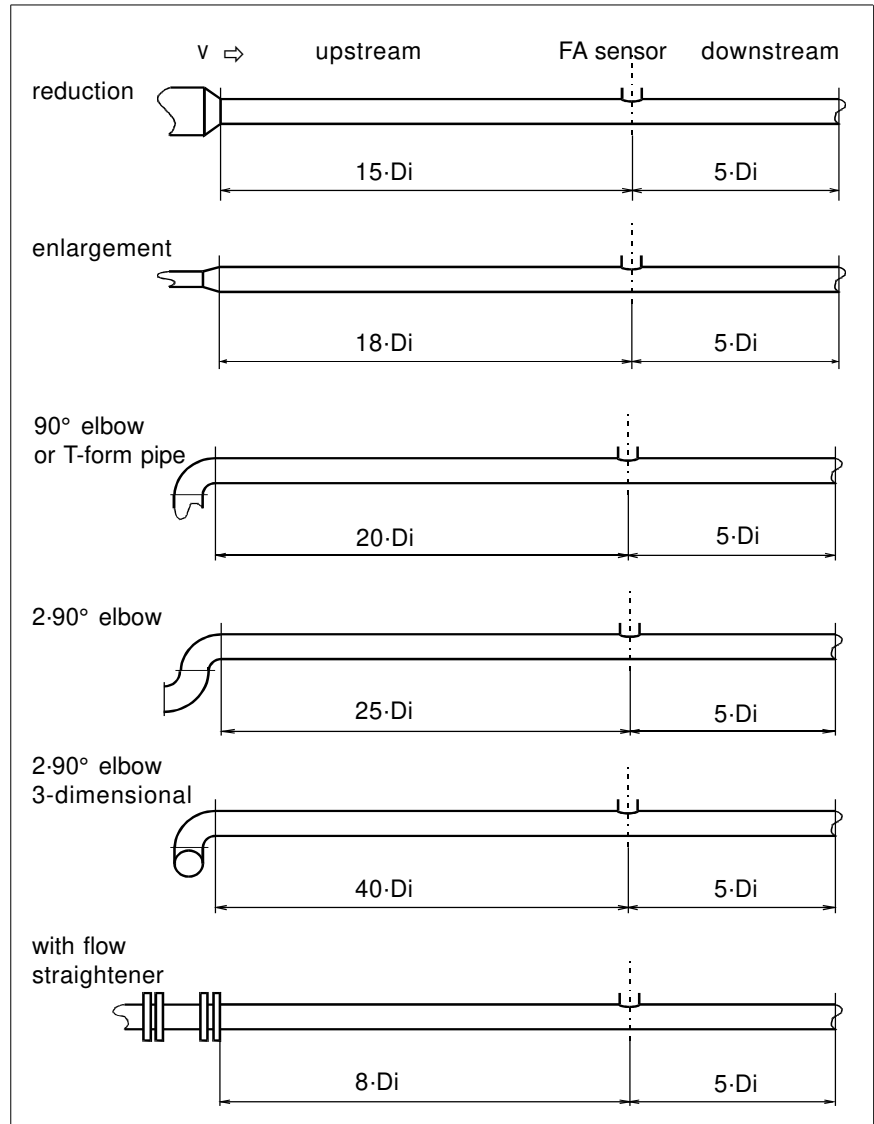
(PF, CF = Profile Factor, Coefficient) is only guaranteed when

- input/output sided irrotational flow prevails and moreover
- sufficient straight, unhindered input section as well as sufficient straight, unhindered output section is available.

The illustrations show the recommended minimum pipe length, given as a multiple of D_i . The use of greater lengths is always advisable.

Should a suitably long, straight section line not be available then the measurement cross section is to be so placed that 2/3 of the straight pipe section are upstream and 1/3 downstream of the measurement cross section.

Standard designs of flow straighteners, see for example DIN ISO 5167-1 'Measurement of fluid flow by means of pressure differential devices'



Greater measurement cross sections

To determine the average flow velocity v_m in greater measurement cross sections a preliminary examination is to be carried out to determine the flow profile/measurement cross section topography. As a result of this study an optimum measuring point is to be fixed and the associated coefficient for the conversion of the local velocity v_p to the average velocity v_m to be stipulated.

For further information see for example

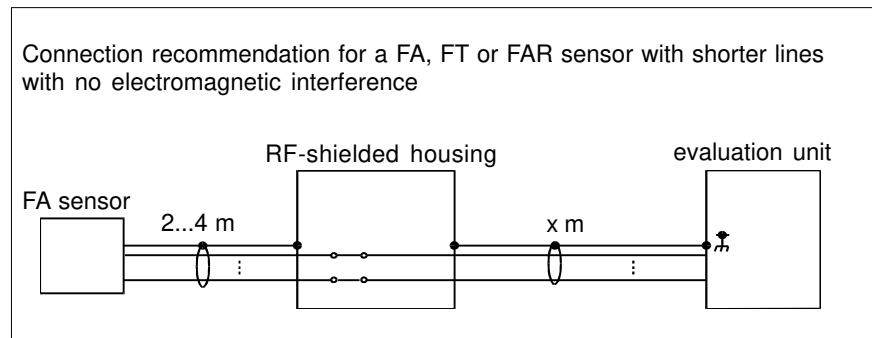
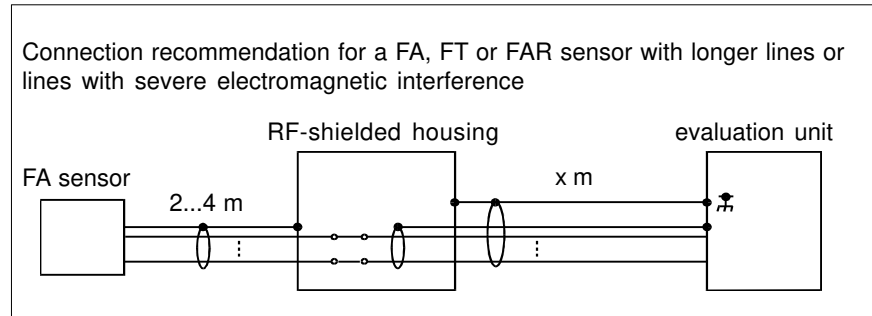
- VDI/VDE 2640-3 'Measurement of gas flow... velocity area method'
- Result report of the Hessian State Institute for the Environment, 'Environmental Planning, Protection of Labour and Environmental Protection Pamphlet 167': 'Überprüfung der Repräsentativität von Messpunkten bei der Ermittlung der Emissionen luftfremder Stoffe unter Anwendung von Messquerschnittstopographien, MQT-Verfahren.'
- Data Sheet FA, 'Coefficient / Profile factor'

Instrument settings

- in the case of an evaluation unit with keypad and display: check the effective parameter settings by using the \rightarrow key (inquiry mode) and if necessary enter type of vane wheel and type of medium appertaining to the sensor via the keypad.
- in the case of a transducer without keypad and display please make sure that the type of vane wheel and type of medium shown on the transducer match the connected sensor.

Circuit diagram

FA sensor with evaluation unit only to be connected according to appropriate circuit diagram.



Connection line

For the connection between sensor and evaluation unit - in the case of shorter lines with no electromagnetic interference - a line with simple copper shielded braid can be used: LiYCY. In the case of longer lines or lines with severe electromagnetic interference a double-shielded line only is to be used: LiYCY-CY. Number of wires and cross section in mm² for each wire: for FA sensor 2 conductors 2·0.25, FA sensor 3 conductors 3·0.25, FAR sensor 2 conductors 3·0.25, FAR sensor 3 conductors 4·0.25, FT sensor 2 conductors 6·0.25. Maximum conductor resistance for each wire: 25 Ω. Maximum operating capacity between the wires with 2 conductors: 1.5 nF. Resistances for fine-strand wires according to VDE 0295 / IEC 228:

79 Ω/km	with wire cross section 0.25 mm ² ,
39 Ω/km	with wire cross section 0.50 mm ² ,
26 Ω/km	with wire cross section 0.75 mm ²

EMC information

for installation in facilities with interference emitting components:

- In the case of lines over 30 m or lines with severe electromagnetic interference - lines between sensor and evaluation unit - the use of a

double-shielded line is recommended: lay inner shield on one side of the evaluation unit, lay outer shield on both sides covering a large area and of low impedance at sensor and evaluation unit.

- Spatial separation of lines emitting interference from measuring cables and evaluation units.
- When using frequency converters the influence of RF interference emittance must be taken into consideration from the outset and increased active and passive anti-interference measures must be taken: Decouple the mains input of the frequency converter by means of a spark filter against active interference emittances. In addition this increases the passive resistance to jamming of the facility.
- Special attention should be directed to the motor wire. The motor wire between converter and motor should be shielded, the shielding being on both sides.
- Metallic parts in the service cabinet - as for instance sub-rack with control electronics or mounting plates - very good large area and RF-like conductive connection.
- Relays, contactors, electro valves installed in the same circuit to be wired by means of spark arrester combinations or excess-voltage limiting components.
- Lay the shielding from analog signal lines only on one side - if possible at the evaluation unit - and of low impedance. Twist non-shielded lines: is effective against balanced interference to source terminals.
- Lay shieldings from digital signal lines on both sides over a large area. In the case of potential differences between these points: lay separate potential equalization lines.
- For connections on connection cable points of separation use preferred shielded plug connector. When using terminals: place terminals in an RF-shielded housing and use EMC-correct cable lead-ins. Contact outer shielding of the connecting line to the cable leadins.
- All lines to be kept short! Loops in the line can destroy protective measures. Lay non-reserved wires in a cable on both sides on earthed wire potential. Lay cables and wires close to the reference potential, for instance side panels, mounting plates or steel girders.

Causes of trouble

no measured value:

- coefficient set at 0.000
- sensor not connected (display EEEE or FFFF)
- parting of connection cable or short in the connection cable (display EEEE or FFFF)

measured value too low:

- coefficient set too low
- coefficient too low for the measuring position. See 'Greater Measurement Cross Sections': Flow profile other than expected, e.g. caused by subsequent structural alterations to the measurement section. Please note: the flow profile can change dependent on velocity when the input/output sections are too short.
- volumetric display: pipe inside diameter Di setting too small
- rotational flow with centric positioning of the sensor
- sensor not optimally aligned to the flow
- vane wheel no longer smooth running as a result of lengthy use, strong vibration or impact (sensor dropped, for instance)
- vane wheel sluggish as a result of soilage or worn out axle tips
- effective electromagnetic interferences
- burden at current output greater than permissible according to Technical Data Sheet. Effect: correct output values in a lower part of the measuring range, no longer increasing output values in an upper part of the measuring range.
- setting of the scaling for the analog output not as expected
- wrong setting of type of vane wheel or type of fluid in the case of evaluation unit with keypad and display.

Measured value fluctuates:

- time constant set at too low a value
- expected measured value fluctuation does not correspond to the actual measured value fluctuation
- effective electromagnetic interferences

Measured value too high:

- coefficient set too high
- coefficient too high for the measuring position. See 'Greater Measurement Cross Sections': Flow profile other than expected, e.g. caused by subsequent structural alterations to the measurement section. Please note: the flow profile can change dependent on velocity when the input/output sections are too short.
- volumetric display: pipe inside diameter Di setting too great
- effective electromagnetic interferences
- sensor not optimally aligned to the flow
- wrong setting of type of vane wheel or type of fluid in the case of evaluation unit with keypad and display.

other causes of trouble

- all parameters altered: effective electromagnetic interferences. Unlike incorrect parameter settings by the user, electromagnetic interference usually results in parameter settings which cannot be effected by operating error. In the case of an evaluation unit with keypad and display: use the → key for parameter inquiry. This inquiry mode does not change the settings.
- expected measured value fluctuation does not correspond to the actual measured value fluctuation: time constant set too high

Maintenance

In applications where dirt can settle on the sensor, sensor should be cleaned at regular intervals!

Cleaning the sensor

Soiled probes can be rinsed in a cleaning agent (e.g. ethyl alcohol, isopropanol or washing-up liquid with warm water) which does not leave a dry residue. Please check compatibility of cleaning agent with sensor material.

The measuring probe should only be immersed in the cleaning agent as far as the vane wheel and its boring. On no account must liquid be allowed to penetrate the probe from where the cable emerges.

An ultrasonic cleaning appliance should not be used! After cleansing, blow through the vane wheel from both sides with a hair-dryer. Purpose: to achieve self-cleaning effect of axle tips and bearings!

Warning: do not clean or direct airflow against the probe with compressed air.

Vane wheel flow sensors should be cleaned at regular intervals when being used where dirt can be deposited on the sensor. Start by checking the necessity for cleaning at short intervals by close inspection in order to establish an optimal cleaning interval.

Corrective maintenance

to be carried out by Höntzsch GmbH & Co. KG. Please enclose a description of errors when returning faulty instruments. If the instruments have been used in hazardous materials please inform us of any safety precautions to be taken during corrective maintenance. We see it as a conscientious duty to our staff to request you to furnish us with this information.

Service

Please contact Höntzsch GmbH & Co. KG

Höntzsch GmbH & Co. KG

Gottlieb-Daimler-Straße 37
D-71334 Waiblingen
Telefon 07151/1716-0
E-Mail info@hoentzsch.com
Internet www.hoentzsch.com