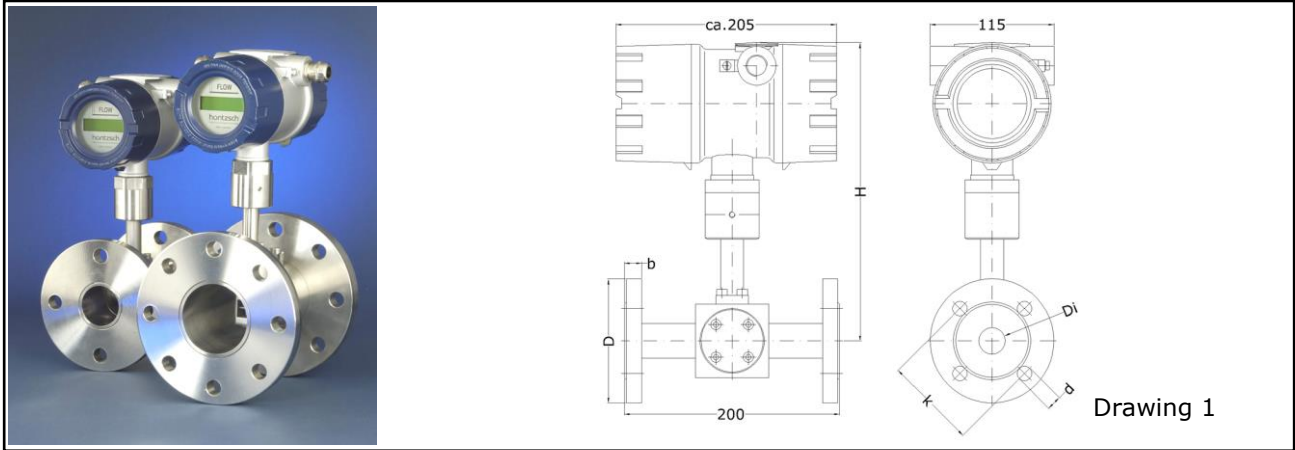


**Vortex flow sensor VA Di Ex-d with integrated, configurable transducer UVA in a flameproof enclosure for applications in explosive atmospheres**



VA Di ... ZG1 Ex-d

**Measured variables**

- actual flow rate
- actual velocity
- standard volume flow (in combination with pressure and temperature sensors)

**Design**

- measuring tube with flanged connection



Kármán vortex street

**Functional principle**

- vortex meter for measuring flow rate and volume
- ultrasonic acquisition of the frequency of the vortex shedding

**Advantages**

- compact unit for explosive atmospheres with local display
- applications in Category 1 (Zone 0 and 20); transducer housing approved for Category 2 (Zone 1 and 21)
- no external isolation/supply unit necessary
- recognizes even the lowest rates of flow, thanks to patented ultrasonic sensing
- high turndown (up to 1 : 100)
- no moving parts
- easy to clean
- high durability
- corrosion-resistant
- largely unaffected by gas composition
- marginal pressure loss
- easy adjustment of parameters with HART® interface

**Examples of application**

- flow measurement in explosive atmospheres: air, exhaust air, sludge activation air, engine intake air, natural gas, waste gas, process gas, biogas, car exhaust emissions, flare gas, water vapour, ...

**Media**

- primarily single-phase gas mixtures, e.g. air, nitrogen, oxygen, methane, natural gas, flare gas, ammonia, argon, carbon monoxide, superheated steam, combustion exhaust gas, biogas, sewage gas.

Other gases or gas mixtures on request

**Particles, humidity and condensation**

- dust or fibre particles in the gas do not affect the measurement, as long as these are not abrasive or accumulate on the sensor
- measurement uncertainty remains unaffected by a relative gas humidity of less than 100 % and a slight accumulation of condensate on the sensor

Model designation / order code (example)						
VA Di 40	G	E	40 m/s	p10	ZG1	Ex-d
(1)	(2)	(3)	(4)	(5)	(6)	(7)

Basic types	
Type	Article No.
VA Di 40 GE 30 m/s / p10 ZG1 Ex-d	B015/056
VA Di 40 GT 30 m/s / p10 ZG1 Ex-d	B015/061
VA Di 40 GH 30 m/s / p10 ZG1 Ex-d	B015/066
VA Di 40 GL 30 m/s / p10 ZG1 Ex-d	B015/071
VA Di 50 GE 30 m/s / p10 ZG1 Ex-d	B015/057
VA Di 50 GT 30 m/s / p10 ZG1 Ex-d	B015/062
VA Di 50 GH 30 m/s / p10 ZG1 Ex-d	B015/067
VA Di 50 GL 30 m/s / p10 ZG1 Ex-d	B015/072
VA Di 80 GE 40 m/s / p10 ZG1 Ex-d	B015/058
VA Di 80 GT 40 m/s / p10 ZG1 Ex-d	B015/063
VA Di 80 GH 40 m/s / p10 ZG1 Ex-d	B015/068
VA Di 80 GL 40 m/s / p10 ZG1 Ex-d	B015/073
VA Di 100 GE 40 m/s / p10 ZG1 Ex-d	B015/059
VA Di 100 GT 40 m/s / p10 ZG1 Ex-d	B015/064
VA Di 100 GH 40 m/s / p10 ZG1 Ex-d	B015/069
VA Di 100 GL 40 m/s / p10 ZG1 Ex-d	B015/074
Optional:	
Design TT (Low Temperature) ambient temperature -40 ... +60 °C	EX-TT

(1) Dimensions							
tube inside Ø Di [mm]	flange outside Ø D [mm]	flange thickness b [mm]	hole circle Ø k [mm]	hole Ø d [mm]	number of holes	sensor length [mm]	sensor height H [mm]
40	150	16	110	18	4	200	300
50	165	18	125	18	4	200	300
80 *	200	20	160	18	8	200	308
100	220	20	180	18	8	200	318

Flange dimensions according to EN 1092-1 PN16 Form B1 (other dimensions on request)  
\* Hastelloy sensor Di Ø 84.3 mm

(2) Medium
Gases

(3) Materials in contact with the medium	
Design	Material
... GE ...	stainless steel 1.4404, 1.4571, 1.4581, ceramics
... GT ...	titanium 3.7035 (grade 2), ceramics
... GH ...	Hastelloy 2.4610 (HC4), ceramics
... GL ...	tantalum, ceramics

**(4) Measuring range**

Di [mm]	flow rate V/t [m³/h]	average flow velocity v <sub>m</sub> [m/s]	interrelationship v <sub>m</sub> - V/t
40	1.8 ... 135	0.4 ... 30	1 m/s = 4.52 m³/h
50	2.8 ... 212	0.4 ... 30	1 m/s = 7.07 m³/h
80	7.2 ... 724	0.4 ... 40	1 m/s = 18.1 m³/h
100	11.0 ... 1131	0.4 ... 40	1 m/s = 28.3 m³/h

**Calibration**

For each sensor, one of the two calibration options listed below must be selected.

calibration option	art no.
<b>ISO calibration</b> (inclusive calibration certificate) calibration medium air, adjustment in sensor measuring range up to max. 1600 m³/h, 6 calibration values in the scaled measuring range	CQ-1600 ISO (standard)
<b>DAkKS calibration</b> (inclusive calibration certificate) calibration medium air, adjustment in sensor measuring range up to max. 1600 m³/h, 6 calibration values in the scaled measuring range	CQ-1600 DAKKS

Measurement uncertainty	< 1 % of measured value + 0.3 % of terminal value (at +20 °C / 1000 hPa)
Repeatability	± 0.2 % of measured value + 0.025 % of terminal value
Input/output sections	in order to achieve as great a measurement accuracy as possible, an input/output section of 20/10 x Di is recommended. The input section can be reduced considerably by using a flow rectifier (see Accessories). Further information on this subject can be found in the Operating Instructions U377.

**(5) Maximum working pressure**

up to 10 bar / 1 MPa overpressure

**(6) Design**

as in Drawing 1 (Page 1)

**(7) ATEX protection**

- for gas : Ⓜ II 1/2 G Ex ia/db eb [ia] IIC T6 Ga/Gb
- for dust : Ⓜ II 1/2 D Ex ia/tb IIIC TX Da/Db
- sensor : Category 1 (Zone 0 or 20)
- transducer housing : Category 2 (Zone 1 or 21)

**Electromagnetic Compatibility (EMC)**

according to EN 61 000-6-2 and EN 61 000-6-4 / IEC77

**Functional Safety / Safety Integrity Level (SIL)**

according to DIN EN 61508 part 1 to part 7 and DIN EN 61511 part 1 to part 3, SIL2; please pay attention to our document U400.

Ex-d transducer housing	
Dimensions	outside diameter/length/height: approx. 110/205/182 mm
Material	aluminium cast alloy max. 0.5 % Mg, coated
Protection	IP68, IEC 529 and EN 60 529
Connection	glands for shielded cables with outside diameter 5 ... 9 mm; contacting of overall screen on the ground terminal in the housing; via screw terminals Ex-e for wires with cross-section 0.14 – 1.5 mm <sup>2</sup>
Alignment	rotatable by approx. 350 ° and lockable
Setup	dual chamber system consisting of: 1) electronics in Ex-d protection (flameproof enclosure) 2) connections in Ex-e protection (increased safety) with terminal block and cable glands

Installation position	
any	to ensure that sensors remain operative in horizontal pipelines, even with slight accumulation of condensate, VA Di 40, 50, 80 and 100 sensors with the connection housing facing sideways. In the case of vertical pipelines positioning of all VA Di sensors - even with slight accumulation of condensate - can be chosen freely.

Options (A) & (B)	
Sealing material	Calibration pressure
(A)	(B)

Option (A) Sealing material		
Material	Permissible temperature of the medium	Article No.
FKM (standard)	-20 ... +180 °C	B015/900
silicone	-40 ... +180 °C	B015/901
KALREZ® 4079	0 ... +180 °C	B015/902
EPDM	-20 ... +160 °C	B015/903
PFA	-20 ... +180 °C	B015/905

**permissible ambient temperature:** -20 ... +60 °C

Option (B) Calibration pressure		
Pressure	Comments	Article No.
atmospheric	at working pressures greater than 3 bar rel., calibration should be carried out at an average working pressure to reduce measurement uncertainty	B015/910
___ bar rel.	calibration pressure selectable in range 1 ... 10 bar rel.; at working pressures higher than 3 bar rel., calibration at an average working pressure is recommended to ensure the best possible measurement uncertainty	B015/911

**Transducer UVA integrated in the connection housing**

Analog output flow	4 ... 20 mA resistance max. 500 Ohm
Output limit value or quantity pulse	potential-free relay contact (normally-open) max. 300 mA / 27 VDC
Communication port	HART® via modem adapter for PC connection and UCOM software (see Accessories) output signals electrically isolated from power supply
Self-monitoring	parameter settings, sensor interface; in the case of error: analog output < 3.6 mA
Power supply	24 V DC (20 ... 27 V DC)
Power consumption	less than 5 W
Setting parameters (selection depending on parameter set)	analog output, time constant, profile factor, limit value or quantity pulse (rating adjustable), switchover actual/standard flow with parameters 'working pressure' and 'working temperature'

**Accessories (optional)**

	Description	Article No.
LCD display	1 <sup>st</sup> row: 'instantaneous value': flow rate or flow velocity 2 <sup>nd</sup> row: 'counter' or 'error code' 2 x 16-digit, character height 5.5 mm, working temperature range -20 ... +60 °C display rotatable in 90 °-stages on removing the Ex-d housing window cover	A010/520
HART® modem adapter	for changing setting parameters, for PC-USB connection	A010/101
PC software UCOM	for configuring the UVA via RS232	A010/052



Ex-d transducer housing with optional LCD display

### Accessories (cont'd)

#### Process flange TP

for one pressure sensor (P) and one temperature sensor (T)

Identification	Article No.	Inside Di [mm]
TP Di/DN 40 PN16	B015/101	40
TP Di/DN 50 PN16	B015/102	50
TP Di/DN 80 PN16	B015/103	80
TP Di/DN100 PN16	B015/104	100
Material	stainless steel 1.4571	
Connecting thread	2 x G 1/4"	
Installation point	downstream, behind the VA Di sensor	

#### Flow rectifier

for reducing the input section - incl. flow rectifier - to 11 x Di

Identification	Article No.	Inside Di [mm]
GL Di/DN40 PN16	B015/151	40
GL Di/DN50 PN16	B015/152	50
GL Di/DN80 PN16	B015/153	80
GL Di/DN100 PN16	B015/154	100
Material	stainless steel 1.4571	
Installation point	5 ... 8 x Di in front of the VA Di Sensor (see Operating Instructions U377)	

® Registered trademark:  
DuPont: KALREZ  
HART: HART Communication  
foundation

#### Höntzsch GmbH & Co. KG

Gottlieb-Daimler-Straße 37  
D-71334 Waiblingen  
Telephone +49 7151 / 17 16-0  
E-Mail info@hoentzsch.com  
Internet www.hoentzsch.com

Subject to alteration