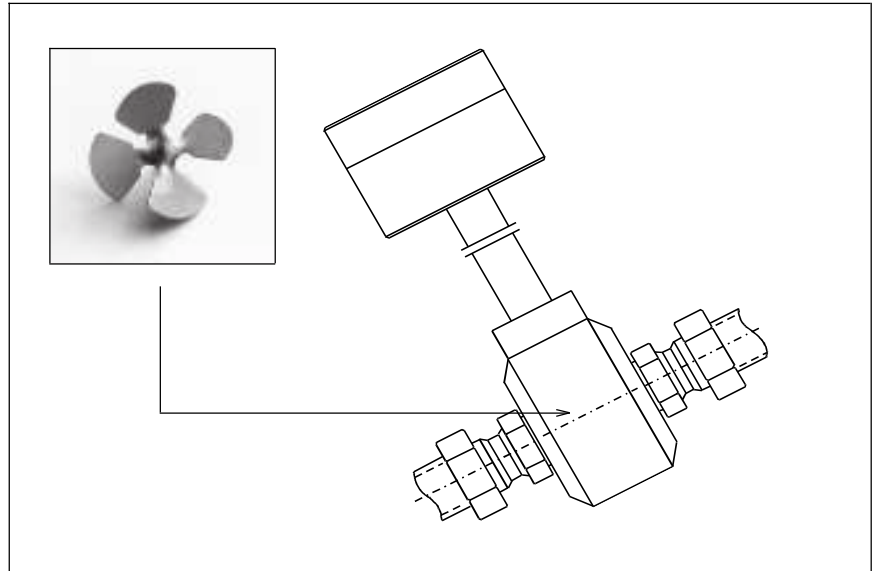
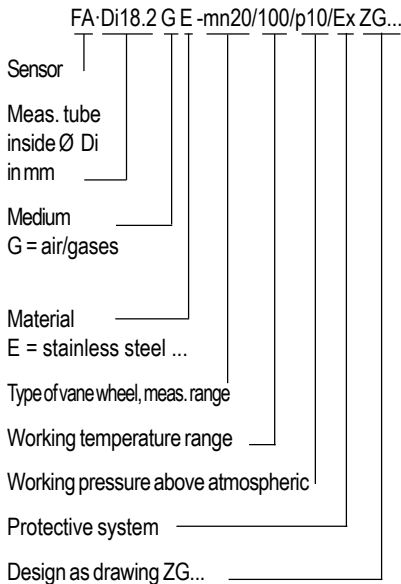


Measuring Tubes FA·Di 18.2 GE...100 °C



The following applies to all measuring tubes
FA Di 18.2 GE - mn... / 100 / p10:

Measuring ranges v_{local} with vane wheel type
mn20 G: 0.4 ... 20 m/s
mn40 G: 0.5 ... 40 m/s
vane wheel made of stainless steel

With developed flow profile, irrotational flow,
the relation

$$v_{mean} = PF \cdot v_{local}$$

with the profile factor PF = 0.84:

$$1 \text{ m/s}_{local} \cong 0.84 \text{ m/s}_{mean}$$

$$1 \text{ m/s}_{local} \cong 13.11 \text{ actual l/min}$$

Working temperature range
continuous : -20 °C ... +100 °C
short-time : -25 °C ... +125 °C
Working pressure : up to 10 bar/1 MPa
Materials which come into contact with the medium
E : stainless steel, ceramics, VITON ...
Fitting attitude : as required
Connection : terminal screws
Connection housing : AS80,
L·W·H = 80·80·60 mm
for 0 °C ... +50 °C
Screwed cable glands : PG11, for cable with
Ø 5...10 mm
Protective system : sensor IP68
connection housing IP65

Other models

Ex ia IIC T6, Measuring range up to 80 m/s or
120 m/s ... on request

User's Information

for measuring with vane wheel flow sensors, see
also Data Sheet FA.

Standard: output v/FA , **optional** with
integrated transducer / 24 VDC / AS80
Output: 4...20 mA= 0...terminal value G in m/s

Measuring tube as drawing ZG ...	Type of vane wheel	Meas. range G in actual l/min ≈ ...	Installation length L total ≈ ... mm	Input/output section in mm b = by customer	Pipe connection V = screwed conn. SRV= cutting ring V	Article no.
FA·Di 18.2... ZG5a	mn20	5.3 ... 262	53+SRV	b: 360/180	SRV for pipes 22·2	b001/160
FA·Di 18.2... ZG5a	mn40	6.6 ... 524	53+SRV	b: 360/180	SRV for pipes 22·2	b001/161
FA·Di 18.2... ZG1a	mn20	5.3 ... 262	579	360/180	PipeV G 1/2"	b001/162
FA·Di 18.2... ZG1a	mn40	6.6 ... 524	579	360/180	PipeV G 1/2"	b001/163
FA·Di 18.2... ZG4a	mn20	5.3 ... 262	580	360/180	Hose grooves ¹⁾	b001/164
FA·Di 18.2... ZG4a	mn40	6.6 ... 524	580	360/180	Hose grooves ¹⁾	b001/165
FA·Di 18.2... ZG3a	mn20	5.3 ... 262	580	360/180	Pipes oØ 22 mm ²⁾	b001/166
FA·Di 18.2... ZG3a	mn40	6.6 ... 524	580	360/180	Pipes oØ 22 mm ²⁾	b001/167

¹⁾ suitable for hoses with inside Ø 20-22 mm ²⁾ oØ = outside diameter

Designs of Measuring Tubes FA·Di18.2GE...100 °C

