

Operating Instructions

Transducers UVA and UVA in LDG16 housing

Contents

1	Safety Symbols	2
2	Safety Precautions	2
3	Intended Use.....	3
4	Operating Safety	3
5	Scope of Delivery.....	3
5.1	Description, Type Plates.....	4
6	Technical Specifications	4
6.1	Conformity with Standards	4
6.2	Storage Conditions.....	4
6.3	Operating Conditions	5
6.4	Compatibility	5
6.5	Housing and Connection.....	5
6.6	Electrical Data	5
6.7	Measurement Uncertainty	6
7	Installation.....	6
7.1	Block Diagram	6
7.2	Wiring Diagrams	7
7.2.1	Power supply	7
7.2.2	Sensor input.....	8
7.2.3	Analog output.....	8
7.2.4	Relay output.....	8
7.2.5	RS232 Interface.....	9
7.3	Tips on Electromagnetic Compatibility (EMC)	9
7.4	Connecting Cable	10
8	Functional Description	10
9	Settings.....	11
10	Performance Test.....	12
11	Initial Operation.....	12
12	Operation	12
13	Shut-Down, Dismantling	12
14	Inspection.....	13
15	Maintenance.....	13
16	Meaning of LEDs	13
17	Calibration	13
18	Troubleshooting.....	14
19	Returns	15
20	Disposal.....	15
21	Replacement Parts	15
22	Declaration of Conformity, Declaration of Incorporation	16

1 Safety Symbols



Warning!

Failure to observe the instructions can result in serious injury and damage to property!



Important notice!

Non-observance can result in serious damage to the equipment or restriction in performance!



2 Safety Precautions

Danger to life, risk of injury and damage to material or property.
Read the Operating Instructions carefully before initial operation.
Observe general safety precautions as well as those included in various sections of these Operating Instructions.

Hazard risks:

- non-observance of the Operating and Safety Instructions
- modifications to the device by the customer
- handling the device outside the specified operating conditions
- handling the transducers outside the specified operating conditions
- use of unsuitable power supplies and peripheral devices
- improper use of the device

Prevention of voltage hazards:

- use only the dedicated adapter plug for the mains supply
- make sure that the PC is correctly connected to the mains (earthed safety socket, earthing) when using a USB connection
- when connecting analog outputs or inputs to peripheral devices make sure that these are correctly connected to the mains(earthed safety socket, earthing)



3 Intended Use

Transducers UFA and UVA are instruments for measuring flow velocity and flow rate:

UFA for use with vane wheel flow sensors FA or FAR and measuring tubes FA Di or FAR Di and UVA for use with vortex flow sensors VA40 and measuring tubes VA Di. These instruments are designed for industrial applications. The LDG16 is a mounting rail housing in protection class IP20 designed primarily for use in control cabinets.

The manufacturer is not liable for damage caused by improper use and/or non-compliance with the regulations.

Do not carry out any structural modifications to the transducers.

Always follow the instructions on the type plate, especially the information regarding supply voltage.



4 Operating Safety

All steps described below must be carried out by qualified personnel only!

Please read the Operating Instructions carefully before unpacking the equipment!

Safety can only be guaranteed if the equipment is operated in accordance with the regulations. Improper handling can result in serious injury and damage to property.

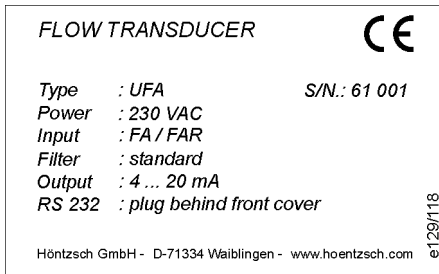
5 Scope of Delivery

- Transducer UFA or UVA for mounting rail assembly
- Operating Instructions U327, Data Sheet
- CD-ROM with PC configuration software UCOM (optional)
- Interface cable RS232 for PC COM port connection (optional)
- USB adapter in addition to interface cable RS232 (optional)

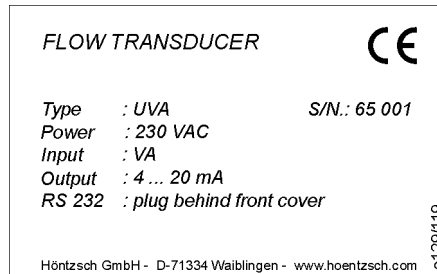
Please check that everything listed in the Delivery Note / Technical Data Sheet is included in the delivery.

5.1 Description, Type Plates

One of the following type plates can be found on the side of the housing:



Type plate UFA



Type plate UVA

Type:	UFA	: transducer for vane wheel sensors
	UVA	: transducer for vortex sensors
S/N.:		: serial number
Power:	230 VAC	: supply voltage 230 V AC voltage
	24 VDC	: supply voltage 24 V DC voltage
	12 VDC	: supply voltage 12 V DC voltage
Input:	FA/FAR	: input for vane wheel sensors FA or FAR
	VA	: input for vortex sensors
Filter:	...	: filtration of vane wheel input frequency
Output:	4-20 mA	: analog output current 4-20 mA
	0-10 V	: analog output voltage 0-10V
RS232:	...	: behind the front cover

6 Technical Specifications

6.1 Conformity with Standards

Transducers UFA / UVA are manufactured according to the best available technology, are safe and reliable and comply with the relevant regulations, EU directives and standards.



6.2 Storage Conditions

Storage temperature: -30 to +70 °C



6.3 Operating Conditions

ambient air temperature in use : 0 to +50 °C
 place of installation : control cabinet on mounting rail EN 50022
 protection class : IP20
 mounting attitude : no restrictions

6.4 Compatibility

All Höntzsch vane wheel probes FA or FAR and all Höntzsch vane wheel measuring tubes FA Di or FAR Di (without integrated transducer) can be connected to the UFA transducer. The UFA replaces the U2a transducer with FA / FAR input.

All Höntzsch vortex probes VA and all Höntzsch vortex measuring tubes VA Di (without integrated transducer) can be connected to the UVA transducer. The UVA replaces the U2a transducer with VA input.

6.5 Housing and Connection

The LDG16 housing is designed for snapping on to 35mm DIN rail according to DIN EN 60715 and SN EN 50022 or for screwed connection. It is an insulator housing complying with machine and automobile industry regulations with 16 shock-proof terminals according to DIN VDE 0100 and VGB4, for wires with cross-section 0.14 ... 4 mm².

Protection class : housing IP40, terminals IP20
 Material : Macrolon
 Connections : by terminals
 Eternal dimensions : W/H/D = 55/75/110 mm

6.6 Electrical Data

Supply voltage, mains supply:

230 V AC	(215 ... 255 V AC), 50 ... 60 Hz,	power < 10 VA
24 V DC	(20 ... 27 V DC),	power < 5 W
12 V DC	(10 ... 17 V DC),	power < 5 W

The mains supply is electrically isolated from the UFA/UVA inputs and outputs.

UFA input flow v/FA or v/FAR:

For Höntzsch vane wheel flow sensors FA and FAR designed as probes (ZS, TS ..., ZSR, TSR ...) and as measuring tubes (FA Di, FAR Di ...).

When using sensors in Ex-zone category 2 an isolation/supply unit (e.g. LDX2) is an essential requirement.

UVA input flow v/VA:

For Höntzsch vortex flow sensors VA designed as probes (VA40 ...) and as measuring tubes (VA Di ...).

When using sensors in Ex-zone categories 1 and 2 an isolation/supply unit (e.g. LDX2) is an essential requirement.

UFA analog output:

for FA and FAR*:	4 ... 20 mA	=	0 ... x m/s	(or m ³ /h),
for FAR:	4 ... 12 ... 20 mA	=	-x ... 0 ... +x m/s	(or m ³ /h),
terminal values x configurable / burden max. 400 Ohm				

Alternative:

for FA and FAR*:	0 ... 10 V	=	0 ... x m/s	(or m ³ /h),
for FAR:	0 ... 5 ... 10 V	=	-x ... 0 ... +x m/s	(or m ³ /h),
terminal values x configurable / impedance 1 kOhm				

* for FAR sensors when configuring the relay: ±flow direction

UVA analog output:

4 ... 20 mA = 0 ... x m/s (or m³/h),
terminal value x configurable / burden max. 400 Ohm

Alternative:

0 ... 10 V = 0 ... x m/s (or m³/h),
terminal value x configurable / impedance 1 kOhm

Relay:

(potential-free change-over contact), max. 300 mA / 27 V DC
configurable as limit value v, quantity pulse or ±flow direction (see under 8 Functional Description)

RS232 interface:

for connection with UCOM, (see under 8 Functional Description)
9600 Baud, 8Bit, no parity, 2 stop bits, Xon/Xoff

6.7 Measurement Uncertainty

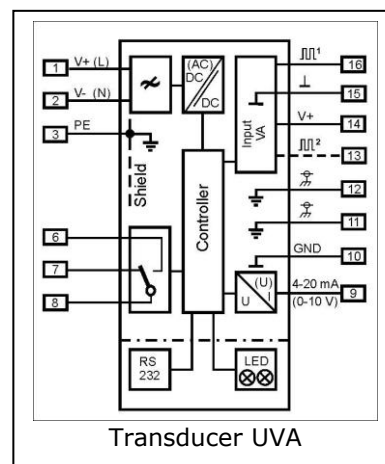
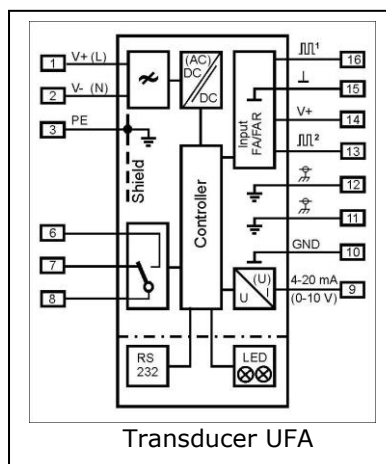
Recording the measurement frequency (at 1000 Hz)	: <0.1%
Analog output (terminal value)	: <0.15%
Linearity error	: <0.1%
Temperature coefficient	: <20 ppm/K (at 25 °K temperature difference equivalent to <0.05%)



7 Installation

The current European Specifications for Assembly, the recognised standards of good practice and this Operating Instructions apply.

7.1 Block Diagram





7.2 Wiring Diagrams

Electrical connection must be carried out according to the appropriate wiring diagram.

Faulty connection can cause damage to persons and destruction of the electronics.

Do not install or wire up the transducer under mains voltage. **Non-compliance can cause damage to persons and destruction of the electronics.**

In this connection and depending on the configuration of the equipment, one of the following wiring diagrams must be taken into account. Wiring diagrams for measuring systems in customer-specific design will be supplied separately.

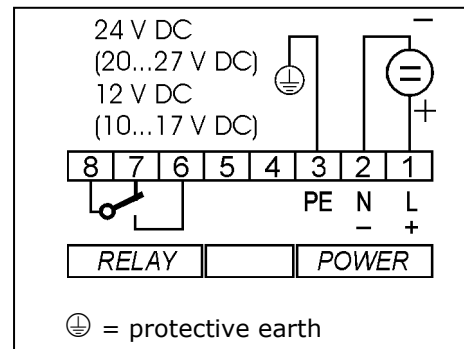
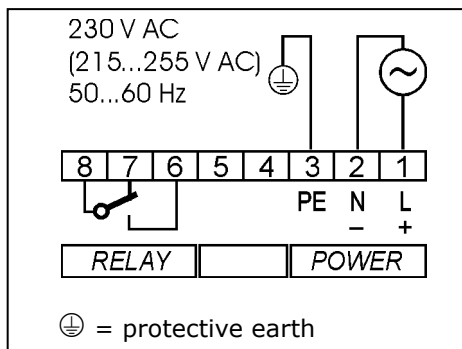


7.2.1 Power supply

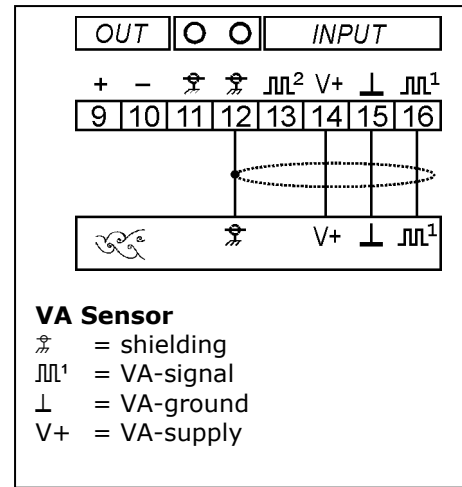
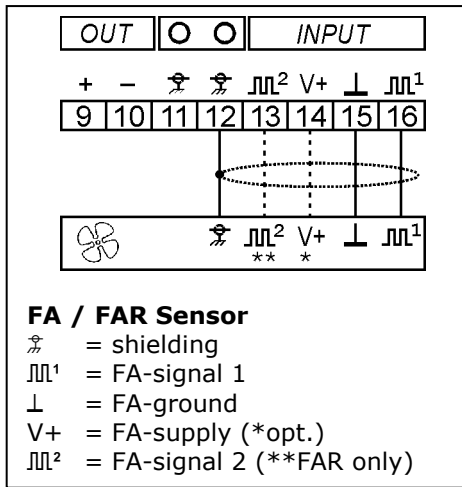
Before connecting please check that the power supply is within the specification. The type plate with all relevant information can be found on the side of the UFA and UVA housing.



With a supply voltage of 230 V AC please ensure that the non-insulated areas of terminals and connecting cables are not touched when live!

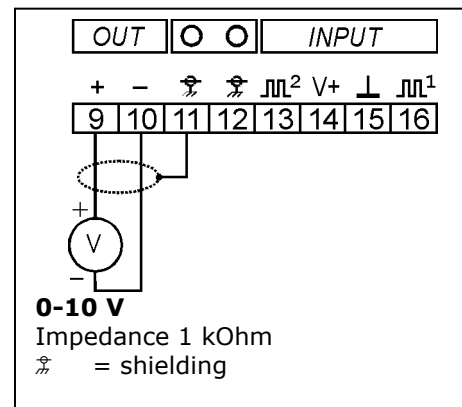
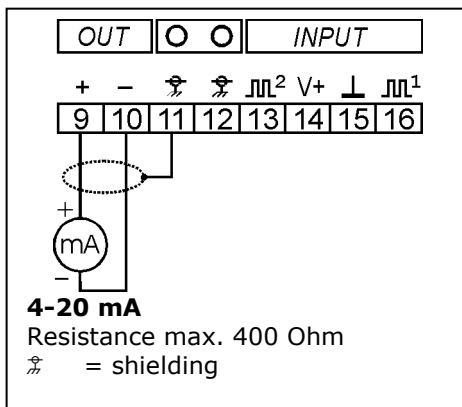


7.2.2 Sensor input



If the housing has cable glands, shielding of the sensor connecting cable is contacted at cable gland.

7.2.3 Analog output



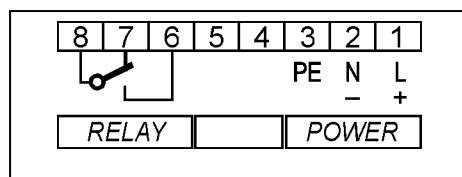
The type plate with all relevant information can be found on the side of the UFA and UVA housing.

The terminal value of the analog output can be configured with the PC software UCOM via the RS232 interface. The customer-specific programmed value can be found in the accompanying documents.

7.2.4 Relay output

The change-over contact of the relay is shown in rest position (relay coil off).

The function of the relay output and the corresponding setting parameter can be configured with the PC software UCOM via the RS232 interface. The customer-specific settings can be found in the documentation.



7.2.5 RS232 Interface



Fig. 1: Unscrew the front cover

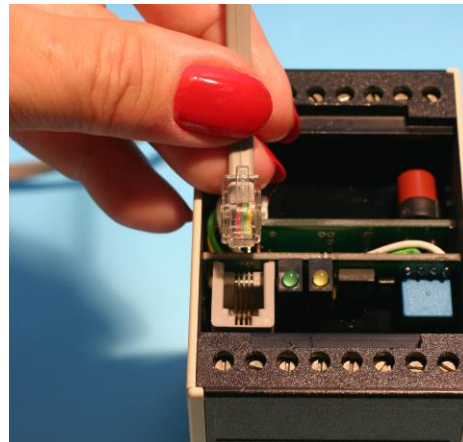


Fig. 2: Connection RS232 interface cable with RJ22 plug with front cover open

The RS232 interface connection is behind the front cover. After removing the front cover (see Fig 1) the RJ22 plug of the PC connecting cable can be plugged into the socket (see Fig 2). PC connection follows at a COM port or with an optional USB adapter.



7.3 Tips on Electromagnetic Compatibility (EMC)

- all connecting cables are to be kept as short as possible
- with cable routes longer than 30 m or with strong electromagnetic disturbance along the cable route between sensor and evaluation unit, the use of a double-shielded cable is recommended: to do this lay inner shielding to one side of the evaluation unit and lay outer shielding on both sides over a large area with low-impedance connection on the sensor and evaluation unit or on the control cabinet
- do not loop or kink the cable
- lay non-allocated cable strands on both sides on protective potential
- lay cables as close to ground as possible, as for example side panels, mounting plates or steel girders
- when using frequency converters there is a risk of HF interference. Therefore, decouple the power input of the frequency converter against active emitted interference using a radio interference filter. This also increases the passive interference resistance of the facility
- between engines and converters use only shielded engine cables, with double-sided shielding overlay
- spacially separate cables which emit interference from measuring lines and evaluation units. If necessary, lay measuring lines in a metallic tubular cable protection
- metallic parts in control cabinets such as subracks with control electronics or subplates – to be connected over a large area and HF-wise suitably conductive
- wire relays, switches and magnetic valves installed in the same circuit, using spark extinguisher combinations or over-voltage limiting components
- apply analog signal cable shielding on one side only – preferably on the evaluation unit - and low resistant. Twist unshielded cables against balanced induction
- apply digital signal cable shielding on both sides over a large area. In the case of potential differences between these points it is advisable to lay a separate equipotential bonding conductor
- allow for preferred shielded connector for connections to points of separation of connection cables. Terminals should be situated in HF-tight housing, with suitable EMC cable entry points. Contact outer shielding of the connection cables to the cable entry points.

A **relay output** (change-over contact) can be configured for **1 of 3** different **functions**:

1. as **limit value** for the flow velocity or the flow rate:
flow velocity $<$ or $=$ limit value: relay contact idle
flow velocity $>$ limit value: relay contact in working position
2. as **quantity pulse** for quantity measurement:
max. pulse repetition frequency 1 Hz per unit of volume,
configurable, e.g. 1 pulse per 1, 10 or 100 (norm)-m³ or (norm)-litre
pulse duration 0.1 s (FAR sensors: configurable for '+' or '-' amounts)
3. as **\pm direction of flow** ** (for FAR sensors only):
+direction: relay contact in idle
- direction: relay contact in in working position
** analog output (see above) is then absolute value of flow only, without direction

Self diagnosis according to NAMUR NE43:

For analog output 4 ... 20 mA:

No error : analog output = 4 mA (flow velocity = 0)
or analog output > 4 mA (flow velocity > 0)

Error : analog output < 3.6 mA

For analog output 0 ... 10 V:

No error : analog output = 0 V (flow velocity = 0)
or analog output > 0 V (flow velocity > 0)

Error : analog output < -0.2 V

Monitored: power supply, data logging, sensor interface, parameter settings (see under 18 Trouble-shooting).

If an isolator/supply unit, e.g. LDX2, is used together with the UVA or UFA transducer, sensor monitoring must be switched off (see under 9 Settings)

PC serial port RS232

for changing calibration data and setting parameters.

Remove front cover (see Fig. 1)

Plug PC connector cable (optional) with RJ22 into the socket in the transducer (see Fig. 2).

Connect other end of cable to PC COM port.

If a USB connection is required, then an optional USB / RS232 interface converter must be inserted.

Changes to the settings can now take place after starting the PC programme UCOM (optional) (see under 9 Settings).

9 Settings

The following setting parameters can be read using the PC software UCOM and are also alterable.

The customer-specific settings are shown on the parameter print-out, which is included in the documents.

Please find operation instructions PC software UCOM in document U385.



10 Performance Test

sensor not connected

(Pay attention to 7.2.1 Power supply)

(Pay attention to 7.2.3 Analog output)

after connecting the supply voltage the green and yellow LED light up.

The analog output sends a value between 3.4 mA and 3.6 mA with output current or between -0.3 V and -0.2 V with output voltage.



11 Initial Operation

Sensor connected

(Pay attention to 7.2.1 Power supply)

(Pay attention to 7.2.2 Sensor input)

(Pay attention to 7.2.3 Analog output)

after connecting the supply voltage the green LED lights up and the yellow LED is off.

No flow at sensor: the green LED is permanently on, the analog output sends a value of 4 mA with output current (or 12 mA depending on configuration with FAR sensors) or with output voltage a value of 0 V (or 5 V depending on configuration with FAR sensors, see under 8 Functional Description)

Flow at Sensor: the green LED flashes, the analog output sends an analog value deviating from the zero flow conditions (see above).



12 Operation

(see under 6.3 Operating conditions)

(see under 6.6 Electrical Data)



13 Shut-Down, Dismantling

Before disconnecting the cable, please ensure that the supply voltage is switched off.



14 Inspection

Checking the LEDs, (see under 8 Functional Description, Self diagnosis)



15 Maintenance

Only use cleaning agents which dry without leaving any residue and which are compatible with the housing materials.

Any repair work is to be carried out solely by Höntzsch GmbH & Co. KG.

16 Meaning of LEDs

LED green	LED yellow	Description
off	off	no power supply
on	off	power supply ok, no error, no flow
flashing	off	power supply ok, no error, flow detected
on	on	power supply ok, parameter error and/or sensor error, no flow
flashing	on	power supply ok, parameter error, flow detected

17 Calibration

The UFA and UVA transducers have an excellent long-term stability. However, it makes sense to have the instruments calibrated at certain intervals. The period between two calibrations depends on the individual operational conditions and the tolerable measurement error. Therefore, as a precaution, shorter calibration cycles should be chosen at the beginning. As an indication and under 'normal' operating conditions a calibration cycle of approx. 3-5 years applies.

Transducers must be returned to the manufacturer for calibration. Please refer to chapter 19!

18 Troubleshooting

Fault	Cause	Troubleshooting
green LED off	no power supply	check connecting cable, measure voltage at connecting terminals
	transducer electronics faulty	return to factory
analog output = error (< 3.6 mA or < -0.2 V), green LED on	cable break or short-circuit	check terminals; check cable for continuity and replace if necessary
	transducer or sensor electronics faulty	return to factory
analog output = error (< 3.6 mA or < -0.2 V), green LED flashes	parameter error	check parameter with UCOM software, save new checksum (or return to factory)
	transducer electronics faulty	return to factory
analog output = 4 mA, no measured value	sensor contaminated	clean sensor according to instructions
	profile factor set at 0.000	set profile factor to relevant nominal diameter and sensor type
measured value too low	sensor contaminated	clean sensor according to instructions
	profile factor setting too low	set profile factor to relevant nominal diameter and sensor type
	input/output section too short	change sensor position; improve flow conditions with a flow rectifier
	rotational flow	reposition sensor in flow direction; install flow rectifier
	with vortex VA-sensors: reduced acoustic coupling in the sensor elements as a result of intense vibration or a powerful impact	return sensor to factory for performance test
	burden at current output is greater than specified in the Technical Data Sheet. This results in correct output values in the lower range and no longer increasing output values at the top end of the measuring range	reduce burden resistance
	incorrect scaling of analog output	check setting and amend if necessary
measured value too high	profile factor setting too high	set profile factor to relevant nominal diameter and sensor type
	EMC problem	see reference to electromagnetic compatibility (EMC)

19 Returns

No special measures necessary for UFA and UVA transducers.

When returning sensors, these should be cleaned thoroughly according to the instructions. A hazard warning or declaration of no objection must be supplied for substances which have been in contact with the sensor or possibly infiltrated the cavities in the sensor. If adhesion of hazardous substances cannot be ruled out, then detailed safety measures to be taken when handling the equipment must be itemised.

20 Disposal

The customer should assume the duty to dispose of the equipment at his own expense and according to statutory provisions (e.g. ElektroG in Germany).

21 Replacement Parts

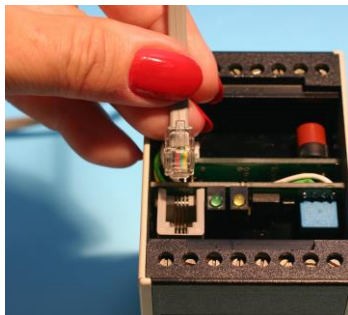


Fig.3 Fuse TR5

Fuse TR5 accessible by removing the front cover and visible top right in Fig.3:

for 230 V AC	TR5-T 100 mA	order no. e025/023
for 24 V DC	TR5-T 500 mA	order no. e025/024
for 12 V DC	TR5-T 500 mA	order no. e025/024

The fuse is inserted in the base.



Always switch off before changing the fuse

22 Declaration of Conformity, Declaration of Incorporation

We, Höntzsch GmbH & Co. KG
Gottlieb-Daimler-Straße 37
D-71334 Waiblingen

bearing sole responsibility, hereby declare that the product

Transducer UFA / UVA in LDG16 Housing

referred to in this declaration, is in conformity with the following standards or normative documents:

Provisions of the Directive	Reference and date of issue
2014/30/EU: Electromagnetic Compatibility	EN 61000-6-4 EN 61000-6-2
2014/68/EU: Pressure Equipment Directive	
2006/42/EC: Safety of Machinery	
Safety requirements for electrical equipment for measurement, control, and laboratory use	EN 61010



Waiblingen, 14.01.2021

Jürgen Lempp / Managing Director

Höntzsch GmbH & Co. KG
Gottlieb-Daimler-Straße 37
D-71334 Waiblingen
Tel: +49 7151 / 17 16-0
E-Mail info@hoentzsch.com
Internet www.hoentzsch.com

Subject to alteration