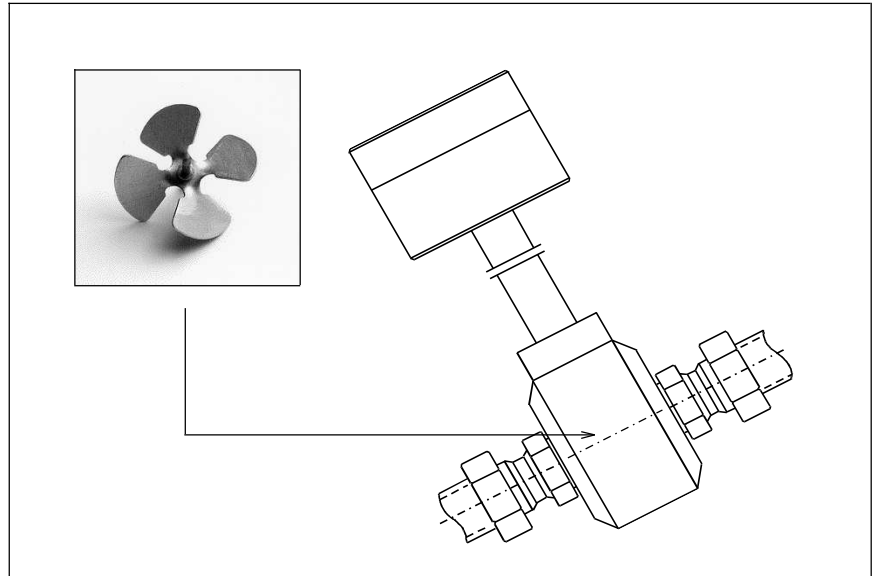
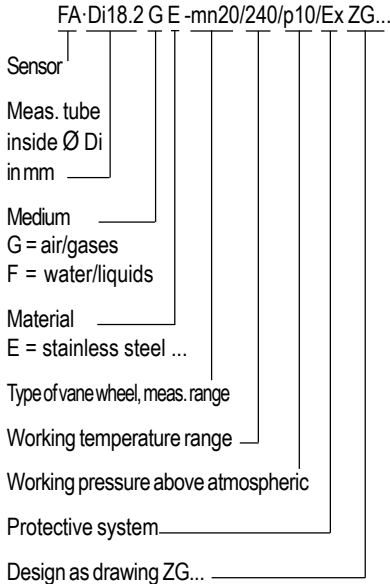


Measuring Tubes FA·Di 18.2GE...240 °C



The following applies to all measuring tubes as in drawings 3a and 5a

FA Di 18.2 GE - mn... / 240 / p10/ZG...

Measuring ranges v_{local} with vane wheel type

mn20 G: 0.4 ... 20 m/s
mn40 G: 0.5 ... 40 m/s

vane wheel made of stainless steel

With developed flow profile, irrotational flow, the relation $v_{mean} = PF \cdot v_{local}$ with the profile factor $PF = 0.84$:

1 m/s $v_{local} \cong 0.84$ m/s v_{mean}
1 m/s $v_{local} \cong 13.11$ actual l/min

Working temperature range: -20 °C ... +240 °C

Working pressure : up to 10 bar/1 MPa

Materials which come into contact with the medium
E : stainless steel, ceramics, hard metal, VITON

Fitting attitude : as required

Connection : terminal screws

Connection housing : AS80,
L·W·H = 80·80·60 mm
for 0 °C ... +50 °C

Screwed cable glands : PG11, for cable with
Ø 5...10 mm

Protective system : sensor IP68
connection housing IP65

Other models

Ex ia IIC T6, Measuring range up to 80 m/s or 120 m/s ... on request

User's Information

for measuring with vane wheel flow sensors, see also Data Sheet FA.

For measuring tubes as in drawing 1a

FA Di 18.2 GE - mn... / 200 / p10 ZG1a

the same specifications as for measuring tubes FA Di 18.2 GE - mn... / 240 / p10 ZG3a and ZG5a apply, however working temperature range pipe fitting with TEFLON seal : -20 °C ... +200 °C working temperature otherwise continuous : -20 °C ... +240 °C

Standard: output v/FA, **optional** with **integrated transducer** / 24 VDC / AS80

Output: 4...20 mA = 0...terminal value G in m/s

Measuring tube as drawing ZG ...	Type of vane wheel	Meas. range G in actual l/min ≈ ...	Installation length L total ≈ ... mm	Input/output section in mm b= by customer	Pipe connection V = screwed conn. SRV= cutting ring V	Article no.
FA·Di 18.2... ZG5a	mn20	5.3 ... 262	53+SRV	b: 360/180	SRV for pipes 22·2	b001/108
FA·Di 18.2... ZG5a	mn40	6.6 ... 524	53+SRV	b: 360/180	SRV for pipes 22·2	b001/109
FA·Di 18.2... ZG1a	mn20	5.3 ... 262	580	360/180	PipeV G 1/2"	b001/110
FA·Di 18.2... ZG1a	mn40	6.6 ... 524	580	360/180	PipeV G 1/2"	b001/111
FA·Di 18.2... ZG3a	mn20	5.3 ... 262	580	360/180	Pipes oØ 22 mm ¹⁾	b001/112
FA·Di 18.2... ZG3a	mn40	6.6 ... 524	580	360/180	Pipes oØ 22 mm ¹⁾	b001/113

¹⁾ oØ = outside diameter

Designs of Measuring Tubes FA·Di18.2GE...240 °C

