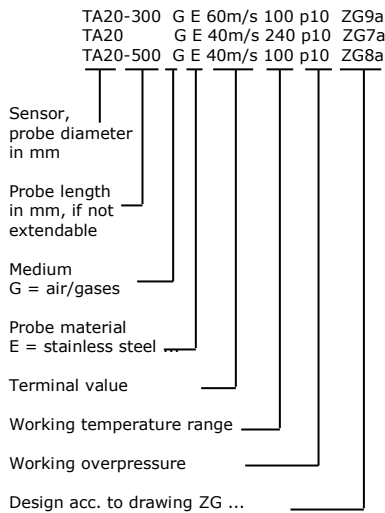
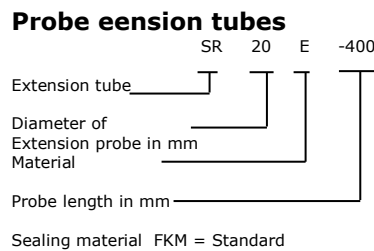


Overview Probes TA20

Probes, Accessories



Extra charges for other models	Art. no.
Cable length for probes TA20 ... ZG7a longer than 2 m, basic price	TAKL
100 °C cable, for each additional m	TA20KL_M100
240 °C cable, for each additional m	TA20KL_M240



Sealing material FKM = Standard

Probe guide pieces	Art. no.
SFB20E-48 / G 1" ZG5 ¹⁾	B004/501
SFB20E-65 / F-DN50PN16 ZG1 ²⁾	B004/101
SFS20E-60 / F-DN50PN16 ZG1	B004/100

Option	Art. no.
Calibration certificate	KLB

Probes of an exact length	Art. no.
TA20-500GE 40m/s 100/p10 ZG8a	B013/203
TA20-300GE 40m/s 100/p10 ZG9a	B013/204
TA20-500GE 60m/s 100/p10 ZG8a	B013/205
TA20-300GE 60m/s 100/p10 ZG9a	B013/206
TA20-500GE 40m/s 240/p10 ZG8a	B013/207
TA20-300GE 40m/s 240/p10 ZG9a	B013/208
TA20-500GE 60m/s 240/p10 ZG8a	B013/209
TA20-300GE 60m/s 240/p10 ZG9a	B013/210

Extension rod	Art. no.
SR20E-400	B099/501

Probe guide pieces SF...

SFB SF with clamping bush for unlimited repeated positioning of a probe at low subatmospheric and above atmospheric pressures
 SFS SF with cutting ring fitting for single/one-off positioning of a probe at higher subatmospheric and above atmospheric pressures and higher temperatures

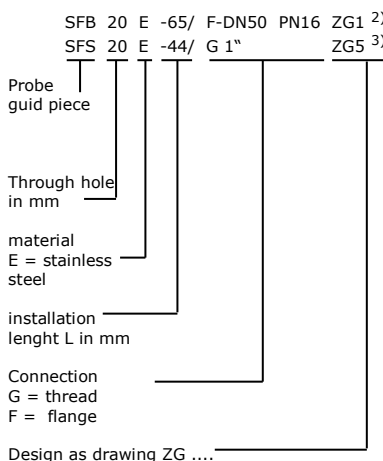
Transducers and accessories	Art. no.
U10 /24 VDC additional price transducer integrated in the connection housing AS80 with Output 4-20 mA with RS232/V24-Interface: only for transducer configuration with Pulse output for quantity measurement	A010/011
U10 / 24 VDC / AS80 as separate transducer with Output 4-20 mA with RS232/V24-Interface: only for transducer configuration with Pulse output for quantity measurement	A010/013
Localized LCD display with quantity counter in the lid of the U10 housing. Display Nm ³ and Nm/s or Nm ³ /h	A010/007
Programming adapter G0 070 / RS232	A010/004
PC-Software UCOM for configuring the transducer via interface RS232	A010/052

Additional charges for other models	Art. no.
Installation length different than the standard installation length, basic price	TA20BL
for each additional 100 mm	TA20BL-100MM

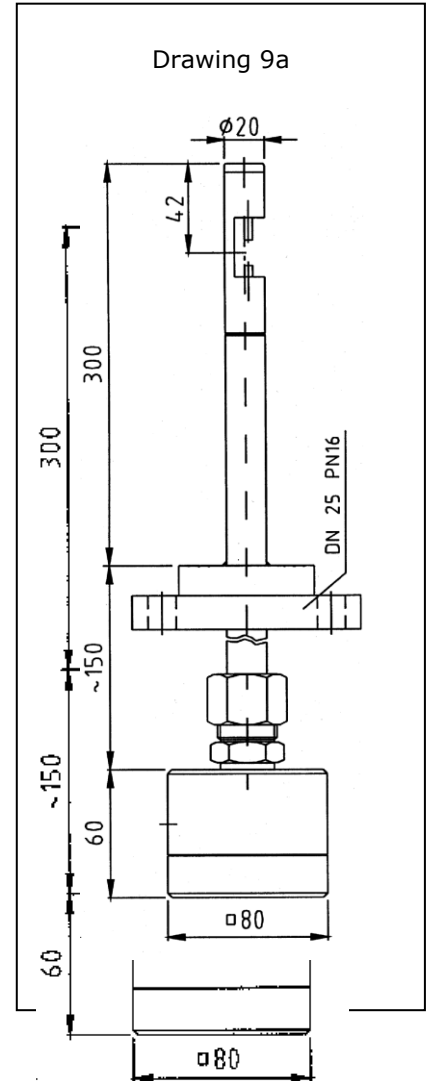
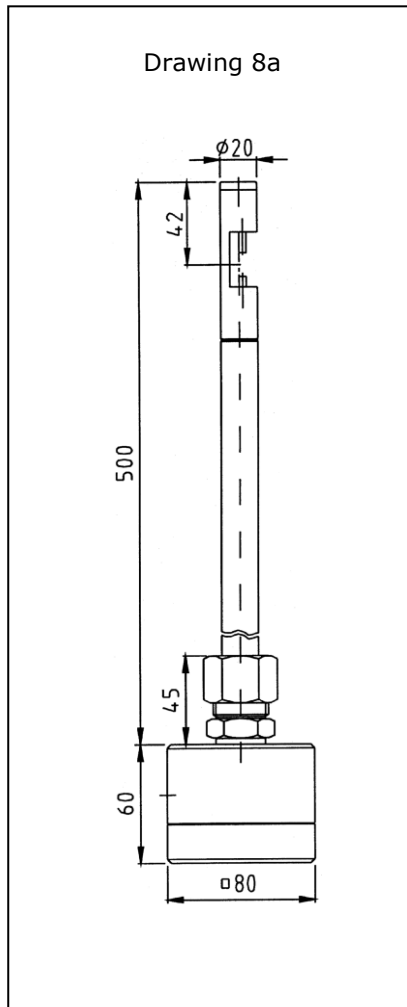
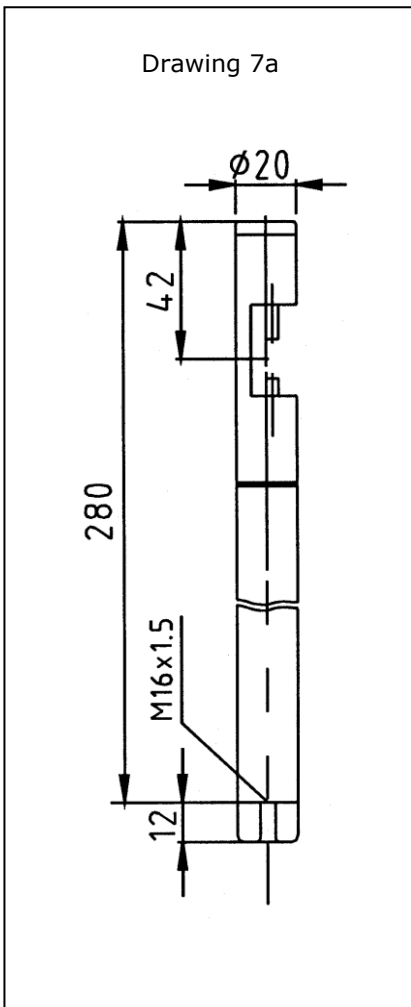
Sealing materials:

- 1) FKM, PTFE clamping bush for +230 °C
- 2) PTFE clamping bush for +230 °C

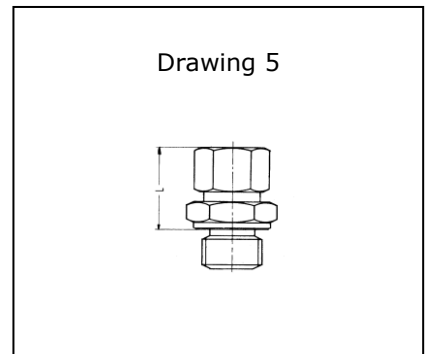
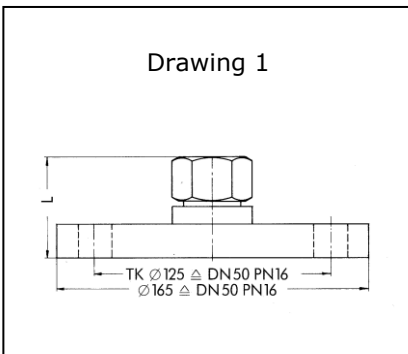
Extendable Probes	Art. no.
TA20GE 40m/s 100/p10 ZG7a	B013/211
TA20GE 40m/s 240/p10 ZG7a	B013/212
TA20GE 60m/s 100/p10 ZG7a	B013/213
TA20GE 60m/s 240/p10 ZG7a	B013/214
Richtungszeiger RZ20	B099/952



Probes TA20



Probe guide pieces SF



Höntzsch GmbH & Co. KG
 Gottlieb-Daimler-Straße 37
 D-71334 Waiblingen
 Telefon +49 7151 / 17 16-0
 E-Mail info@hoentzsch.com
 Internet www.hoentzsch.com

Subject to alteration