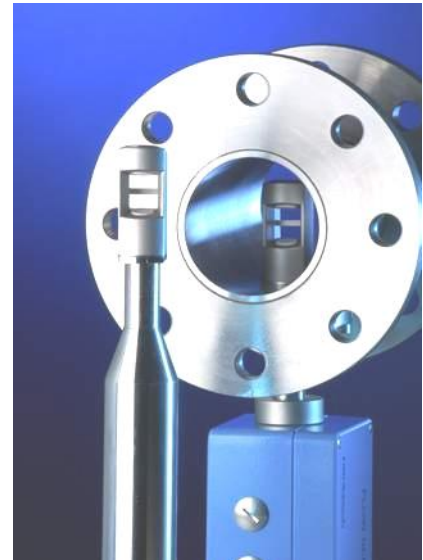


Parameterizable transducer UVA in IP65 aluminium housing for use with vortex flow sensors VA40 and VA Di for measuring flow rate and flow velocity



UVA in AS102 housing



UVA with probe VA40 and measuring tube VA Di

Properties

- for measuring flow velocity and flow rate
- compatible for all Höntzsch VA40 probes and VA Di measuring tubes
- flexible use via PC interface for modification of calibration and parameter data
- easy to read, optional LCD with instantaneous value, quantity counter und error code
- potential-free quantity pulse or limit value output
- permanent self-diagnosis
- conversion from actual to standard flow velocity or flow rate
- robust IP65 aluminium housing
- highly reliable even in extreme industrial application conditions

Model designation (example)			
UVA	4-20 mA	230 VAC	AS102
(1)	(2)	(3)	(4)

Basic types	
Type	Article No.
'4-20 mA'	
UVA / 4-20 mA / 230 VAC / AS102	A016/001
UVA / 4-20 mA / 24 VDC / AS102	A016/002
UVA / 4-20 mA / 12 VDC / AS102	A016/003
'0-10 V'	
UVA / 0-10 V / 230 VAC / AS102	A016/004
UVA / 0-10 V / 24 VDC / AS102	A016/005
UVA / 0-10 V / 12 VDC / AS102	A016/006

(1) Transducer type

UVA	
Input flow v/VA	for Höntzsch flow sensors vortex VA without integrated transducer, as probe VA40 ... and measuring tube VA Di ...;

(2) Outputs

Analog output flow velocity / flow rate	4 ... 20 mA = 0 ... x m/s (or m ³ /h), parameterizable terminal values x / burden max. 400 Ohm, alternatively: 0 ... 10 V = 0 ... x m/s (or m ³ /h), parameterizable terminal values x / impedance 1 kOhm
output either limit value or quantity pulse	relay (potential-free normally open contact), max. 300 mA / max. 27 V DC limit value (alternative 1, parameterizable): flow velocity < limit value: relay rest position, flow velocity > limit value: relay working position quantity pulse (alternative 2, parameterizable): max. pulse repetition frequency 1 Hz per unit of volume, parameterizable, e.g. 1 pulse per 1, 10 or 100 (norm)-m ³ , pulse duration 0.5 s
PC interface RS232	or modifying calibration data and parameter, connection via RJ22 connector (in the housing)
	output signals electrically isolated from the mains supply
self-diagnosis according to NAMUR NE43	errors: - with output 4-20 mA : < 3.6 mA, - with output 0-10 V : < -0.2 V, - LED shines yellow power supply OK : LED shines green with input signal 'flow' > 0 m/s: LED flashes green

(3) Power supply

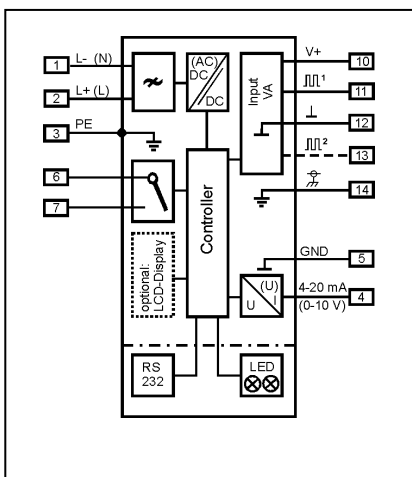
mains supply	230 V AC (215 ... 255 V AC), 50 ... 60 Hz, output < 10 VA 24 V DC (20 ... 27 V DC), output < 5 W 12 V DC (10 ... 17 V DC), output < 5 W
--------------	---

(4) Housing

aluminium housing AS102	dimensions L/B/H: 150/100/80 mm bush for shielded cables with outside diameter 5 ... 10 mm, contacting of Cu overall shielding by the metallic screwed cable glands
connection	'Push In' terminals; no tools necessary to connect conductor; conductors can be separated by applying pressure with a pen or screwdriver; suitable for conductors with cross sections from 0.14 ... 1.5 mm ²
protection	IP65, IEC 529 and EN 60 529
EMC	EN 61 000-6-2 / IEC77
working temperature range	without display : -25 ... +60 °C with display : -25 ... +60 °C

Parameter	
setting parameter as per parameter set no. 00100	analog output, time constant, profile factor, tube inside diameter, linearization of characteristics (calibration no. or pairs of variates), limit value or quantity pulse, quality rating quantity pulse, switching actual/standard flow with setting parameters 'actual pressure' and 'actual temperature'
setting parameter with PC software UCOM and PC connecting cable (see Accessories) alterable	

Accessories (optional)		
	Description	Art.-No.
LCD in top cover	1st row: 'instantaneous value': flow rate or flow velocity 2nd row: 'quantity counter' or 'error code'; 2 x 16 digit, height 5.5 mm working temperature range -25 ... +60 °C	A010/016
PC software UCOM	for configuring transducers UFA and UVA via RS232 interface, PC connecting cable RJ22 / Sub-D-9-pin additional requirement	A010/052
PC connecting cable RJ22 / Sub-D-9-pin	for configuring transducers UFA and UVA in LDG16 or AS102 housings via RS232 interface with software UCOM; transducer connection: RJ22, PC connection: Sub-D, 9-pin	A010/051
interface converter USB / RS232	for connecting PC with USB interface and Höntzsch programming adapter with RS232 interface; PC connection: USB plug type A programming adapter connection: Sub-D 9-pin	A010/100



wiring diagram UVA in aluminium housing AS102



PC with configuration software UCOM



PC connecting cable with CD-ROM UCOM

Höntzsch GmbH & Co. KG
Gottlieb-Daimler-Straße 37
D-71334 Waiblingen
Telefon +49 7151 / 17 16-0
E-Mail info@hoentzsch.com
Internet www.hoentzsch.com

Subject to alteration