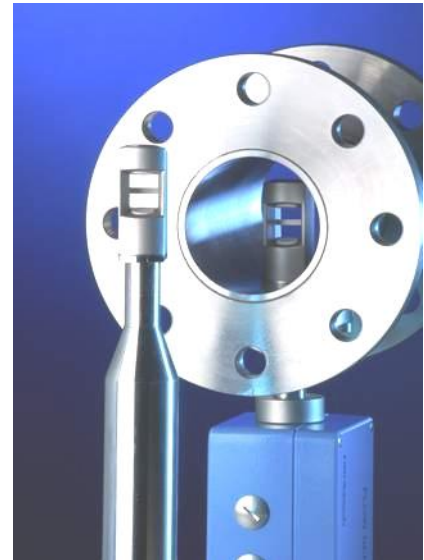




**Parameterizable transducer UVA in LDG16 mounting rail housing
for use with vortex flow sensors VA40 and VA Di
for measuring flow rate and flow velocity**



UVA in LDG16



UVA with probe VA40 and measuring tube VA Di

Properties

- for measuring flow velocity and flow rate
- compatible for all Höntzsch VA40 probes and VADi measuring tubes
- flexible use via PC interface for modification of calibration and parameter data
- potential-free quantity impulse or limit value output
- permanent self-diagnosis
- conversion from actual to standard flow velocity or flow rate
- sensors with isolation/supply unit (e.g. LDX2) may be used in Category 1 and 2 hazardous locations
- highly reliable even in extreme industrial application conditions

Model designation (example)

UVA	4-20 mA	230 VAC	LDG16
(1)	(2)	(3)	(4)

Basic types

Type	Article No.
'4-20 mA'	
UVA / 4-20 mA / 230 VAC / LDG16	A018/001
UVA / 4-20 mA / 24 VDC / LDG16	A018/002
UVA / 4-20 mA / 12 VDC / LDG16	A018/003
'0-10 V'	
UVA / 0-10 V / 230 VAC / LDG16	A018/004
UVA / 0-10 V / 24 VDC / LDG16	A018/005
UVA / 0-10 V / 12 VDC / LDG16	A018/006



(1) Transducer type

UVA	
Input flow v/VA	for Höntzsch flow sensors vortex VA without integrated transducer, as probe VA40 ... and measuring tube VA Di ...; an isolation/supply unit, such as LDX2, is an additional requirement when using vortex VA sensors in Ex-zone Category 1 and 2

(2) Outputs

Analog output flow velocity/flow rate	4 ... 20 mA = 0 ... x m/s (or m ³ /h), parameterizable terminal value x / burden max. 400 Ohm, alternatively: 0 ... 10 V = 0 ... x m/s (or m ³ /h), parameterizable terminal value x / impedance 1 kOhm
Output either limit value or quantity pulse	relay (potential-free change-over contact), max. 300 mA / 27 V DC limit value (alternative 1, parameterizable): flow velocity < limit value: relay rest position, flow velocity > limit value: relay working position quantity pulse (alternative 2, parameterizable): max. pulse repetition frequency 1 Hz per unit of volume, e.g. 1 pulse per 1, 10 or 100 (norm)-m ³ , pulse duration 0.5 s
PC interface RS232	for modifying calibration data and parameter, connection via RJ22 connector, after removing the front cover output signals are electrically isolated from the mains supply
self-diagnosis according to NAMUR NE43	errors: - with output 4-20 mA : < 3.6 mA, - with output 0-10 V : < -0.2 V, - LED shines yellow power supply OK : LED shines green with input signal 'flow' > 0 m/s: LED flashes green

(3) Power supply

mains supply	230 V AC (215 ... 255 V AC), 50 ... 60 Hz, output < 10 VA 24 V DC (20 ... 27 V DC), output < 5 W 12 V DC (10 ... 17 V DC), output < 5 W
--------------	---

(4) Housing

Macrolon mounting rail housing LDG16	dimensions B/H/D = 55/75/110 mm, for 35 mm rail (DIN EN 60715 and SN EN 50022) or screwed connection
connection	protected terminal screws according to DIN VDE 0100 and VGB4, for conductors with cross sections from 0.14 ... 4 mm ²
protection	IP20, IEC 529 and EN 60 529
EMC	EN 61 000-6-2 / IEC77
working temperature range	0 ... +50 °C



Parameter

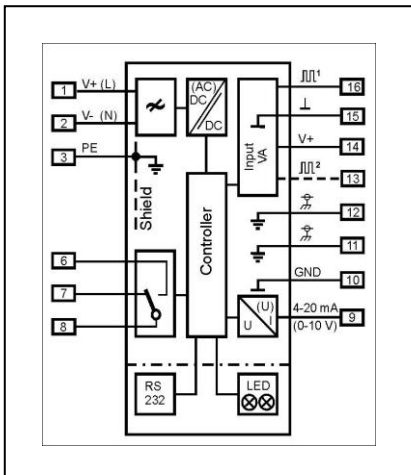
setting parameter as per parameter set no. 00000

analog output, time constant, profile factor, tube inside diameter, linearization of characteristics (calibration no. or pairs of variaties), limit value or quantity pulse, quality rating quantity impulse, switching actual/standard flow with setting parameters 'actual pressure' and 'actual temperature'

setting parameter with PC software UCOM and PC connecting cable (see Accessories) alterable

Accessories (optional)

	Description	Art.-No.
PC software UCOM	for configuring transducers UFA and UVA via RS232 interface, PC connecting cable RJ22 / Sub-D-9-pin additional requirement	A010/052
PC connecting cable RJ22 / sub-D-9-pin	for configuring transducers UFA and UVA in LDG16 or AS102 housings via RS232 interface with software UCOM; transducer connection: RJ22, PC connection: Sub-D, 9-pin	A010/051
interface converter USB / RS232	for connecting PC with USB interface and Höntzsch programming adapter with RS232 interface; PC connection: USB plug type A programming adapter connection: Sub-D 9-pin	A010/100



wiring diagram UVA in top hat rail housing LDG16



PC with configuration software UCOM



PC connecting cable with CD-ROM UCOM

Höntzsch GmbH & Co. KG
Gottlieb-Daimler-Straße 37
D-71334 Waiblingen (Hegnach)
Telefon +49 7151 / 17 16-0
Telefax +49 7151 / 5 84 02
E-Mail info@hoentzsch.com
Internet www.hoentzsch.com

Subject to alteration